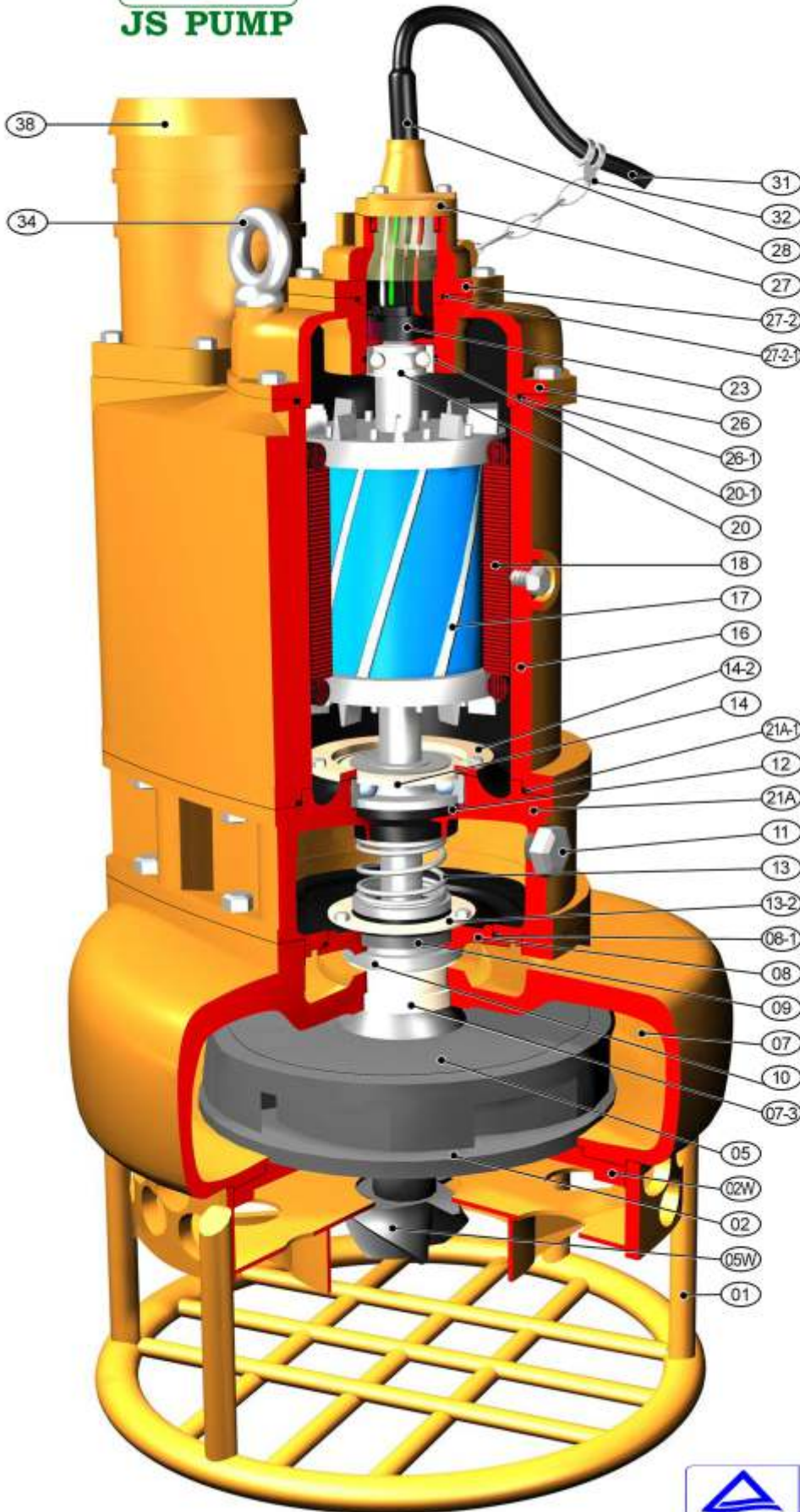




JS PUMP

KZN series



NO	DESCRIPTION
01	STRAINER
02	SUCTION COVER
02-1	ORING
05	IMPELLER
05W	AGITATOR
06	KEY
07	PUMP HOUSING
07-3	SLEEVE
08	OIL CHAMBER
08-1	ORING
09	LIP SEAL (LOWER)
10	SLEEVE
11	PLUGS
12	LIP SEAL (UP)
13	MECHANICAL SEAL
13-2	SEAL COVER
14	BEARING (BOTTOM)
14-2	BEARING COVER
16	MOTOR CASING
17	ROTOR SHAFT
18	STATOR
20	BEARING (UP)
20-1	ORING
21A	MOTOR BOTTOM COVER
21A-1	ORING
23	OVERLOAD PROTECTOR
26	UPPER COVER
26-1	ORING
27	CABLE GLAND
27-1	ORING
27-2	CABLE GLAND
27-3	ORING
28	RUBBER SLEEVE
31	CABLE
32	STRP TIES
34	HANDLE
37	OIL
38	DISCHARGE OUTLET



ISO 9001